



ROOM AIR CONDITIONER

SAFETY INFORMATION3

USING THE AIR CONDITIONER

Controls5

Remote Control6

Cool Mode6

Energy Saver Mode6

Air Direction7

CARE AND CLEANING

Grille and Case8

Air Filter8

Outdoor Coils8

Install Batteries in Remote8

INSTALLATION INSTRUCTIONS

Before you begin9

Electrical Requirements9

Parts Included10

Window Requirements11

Prepare the Air Conditioner11

Install the Air Conditioner12

TROUBLESHOOTING TIPS14

Normal Operating Sounds15

CONSUMER SUPPORT

Limited Warranty17

Consumer Support18

OWNER'S MANUAL

AHEE06AC
AHQ06LZ
AHEF06BC

ENGLISH/ESPAÑOL

Write the model and serial numbers here:

Model # _____

Serial # _____

You can find the rating label on the side of the air conditioner.

THANK YOU FOR MAKING GE APPLIANCES A PART OF YOUR HOME.

Whether you grew up with GE Appliances, or this is your first, we're happy to have you in the family.

We take pride in the craftsmanship, innovation and design that goes into every GE Appliances product, and we think you will too. Among other things, registration of your appliance ensures that we can deliver important product information and warranty details when you need them.

Register your GE appliance now online. Helpful websites and phone numbers are available in the Consumer Support section of this Owner's Manual. You may also mail in the pre-printed registration card included in the packing material.



GE APPLIANCES

IMPORTANT SAFETY INFORMATION

READ ALL INSTRUCTIONS BEFORE USING THE APPLIANCE

▲ WARNING

For your safety, the information in this manual must be followed to minimize the risk of fire, electric shock or personal injury.

- Use this appliance only for its intended purpose as described in this Owner's Manual.
- This air conditioner must be properly installed in accordance with the Installation Instructions before it is used.
- Never unplug your air conditioner by pulling on the power cord. Always grip plug firmly and pull straight out from the receptacle.
- Replace immediately all electric service cords that have become frayed or otherwise damaged. A damaged power supply cord must be replaced with a new power supply cord obtained from the manufacturer and not repaired. Do not use a cord that shows cracks or abrasion damage along its length or at either the plug or connector end.
- Turn the unit OFF and unplug your air conditioner before cleaning.
- For your safety...do not store or use combustible materials, gasoline or other flammable vapors or liquids in the vicinity of this or any other appliance.
- If the receptacle does not match the plug, the receptacle must be changed out by a qualified electrician.



WARNING

Risk of Fire or Explosion. This unit contains flammable refrigerant. Additional safety precautions must be followed.

- Do not use means to accelerate the defrosting process or to clean, other than those recommended by the manufacturer.
- The appliance shall be stored in a room without continuously operating ignition sources (for example: open flames, an operating gas appliance or an operating electric heater).
- Do not pierce or burn refrigerant tubing. Be aware that refrigerants may not contain an odor.
- Keep ventilation openings clear of obstruction.
- When handling, installing, and operating the appliance, care should be taken to avoid damage to the refrigerant tubing.
- Do not drill holes in the unit.
- Maintenance, cleaning, and service should only be performed by technicians properly trained and qualified in the use of flammable refrigerants.
- GE Appliances does not support any servicing of the air conditioner.
- Dispose of air conditioner in accordance with Federal and Local Regulations. Flammable refrigerants require special disposal procedures. Contact your local authorities for the environmentally safe disposal of your air conditioner.

READ AND SAVE THESE INSTRUCTIONS

IMPORTANT SAFETY INFORMATION

READ ALL INSTRUCTIONS BEFORE USING THE APPLIANCE

▲ WARNING USE OF EXTENSION CORDS

RISK OF FIRE. Could cause serious injury or death.

- DO NOT use an extension cord with this Window Air Conditioner.

- DO NOT use surge protectors or multi-outlet adaptors with this Window Air Conditioner.

HOW TO CONNECT ELECTRICITY

Do not, under any circumstances, cut or remove the third (ground) prong from the power cord. For personal safety, this appliance must be properly grounded.

DO NOT use an adapter plug with this appliance.

The power cord of this appliance is equipped with a 3-prong (grounding) plug which mates with a standard 3-prong (grounding) wall outlet to minimize the possibility of electric shock hazard from this appliance.

Power cord includes a current interrupter device. A test and reset button is provided on the plug case. The device should be tested on a periodic basis by first pressing the **TEST** button and then the **RESET** button while plugged into the outlet. If the **TEST** button does not trip or if the **RESET** button will not stay engaged, discontinue use of the air conditioner and contact a qualified service technician.

Have the wall outlet and circuit checked by a qualified electrician to make sure the outlet is properly grounded.

Where a 2-prong wall outlet is encountered, it is your personal responsibility and obligation to have it replaced with a properly grounded 3-prong wall outlet.

The air conditioner should always be plugged into its own individual electrical outlet which has a voltage rating that matches the rating plate.

This provides the best performance and also prevents overloading house wiring circuits which could cause a fire hazard from overheated wires.

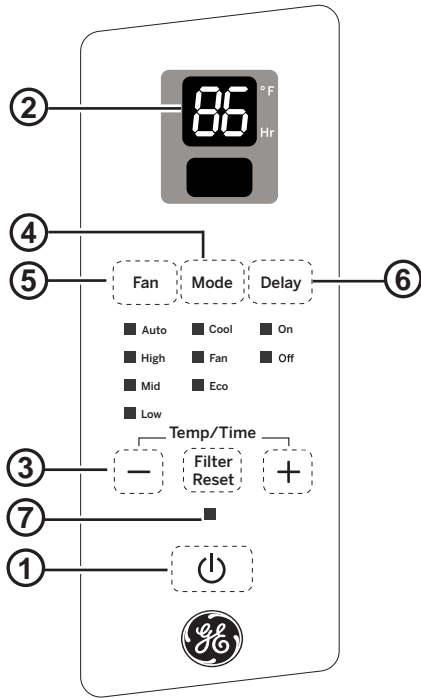
See the Installation Instructions, **Electrical Requirements** section for specific electrical connection requirements.

READ AND SAVE THESE INSTRUCTIONS

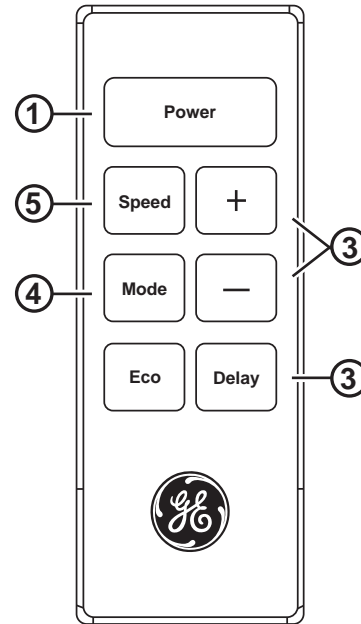
Controls

Features and appearance will vary.

Lights below the touch pads on the air conditioner control panel indicate the selected settings.



Air Conditioner Controls



Remote Control

Controls

1. Power Pad

Turns air conditioner on and off. When turned on, the display will show the **Set** temperature.

2. Display

Shows the **Set** temperature or time remaining on the Delay timer. Shows the **Set** temperature while setting the temperature in **Cool** or **ECO** modes.

3. Temp and Delay Increase + /Decrease – Pads

Use to set temperature or delay time. Temperature can be set in **Cool** and **ECO** mode.

4. Mode Pad

Use to set the air conditioner to **Fan Only**, **Cool**, or **ECO** mode.

5. Fan Speed Pad

In **Cool**, **ECO** mode:

Use to set the fan speed to **Auto**, **High**, **Med** or **Low** on the unit.

In **Fan Only** mode:

Use to set the fan speed to **High**, **Med**, or **Low** on the unit.

6. Delay Pad

Delay ON—When the air conditioner is off, it can be set to automatically come on in 1 to 24 hours at its previous mode and fan settings.

Delay OFF—When the air conditioner is on, it can be set to automatically turn off in 1 to 24 hours.

How to set:

Press the **Delay 1–24hr** pad on the unit or the remote control. Each touch of the **Increase + / Decrease –** pads on the unit or the remote control will set the timer in 1-hour intervals.

To review the remaining time on the **Delay 1–24hr** timer, press the **Delay 1–24hr** pad on the unit or the remote control. Use the **Increase + / Decrease –** pads on the unit or on the remote control to set a new time if desired.

To cancel the timer, press **Decrease –** pad on the unit or the remote control until the set time is zero. After 3 seconds the light on the **Delay 1-24** hour pad goes off.

7. Filter Reset Pad

This feature automatically notifies you that the air filter must be cleaned. The indicator light will come on after 250 hours of operation. Clean the air filter (refer to page 8), place it back in the front panel, and press the Filter Reset pad. The light will go off.

Using the Air Conditioner

Do Not Operate in Freezing Outdoor Conditions

This cool-only air conditioner was not designed for freezing outdoor conditions. It must not be used when the outdoor temperature is below freezing (32°F).

Remote Control

- To ensure proper operation, aim the remote control at the signal receiver on the air conditioner.
 - The remote control signal has a range of up to 20 feet.
 - Make sure nothing is between the air conditioner and the remote control that could block the signal.
 - Make sure batteries are fresh and installed correctly as indicated on the remote control.
-

Cool Mode

Use the Cool mode at **Low, Med, High** or **Speed** for cooling. Use the **Temperature Increase + / Decrease -** pads to set the desired temperature between 64°F and 86°F in 1°F increments.

An electronic thermostat is used to maintain the room temperature. The compressor will cycle on and off to keep the room at the set level of comfort. Set the thermostat at a lower number and the indoor air will become cooler. Set the thermostat at a higher number and the indoor air will become warmer.

NOTE: If the air conditioner is off and is then turned on while set to a **Cool** setting or if turned from a fan setting to a **Cool** setting, it may take approximately 3 minutes for the compressor to start and cooling to begin.

ECO Mode

Controls the fan.

ON—The fan will cycle on and off with the compressor. This may result in wider variations of room temperature and humidity. **NOTE:** the fan may continue to run for a short time or may pulse intermittently after the compressor cycles off to sample the room air.

Cooling Descriptions

For Normal Cooling—Select the **Cool** mode and **High** or **Med** fan with a middle set temperature.

For Maximum Cooling—Select the **Cool** mode and **High** fan with a lower set temperature.

For Quieter and Nighttime Cooling—Select the **Cool** mode and **Low** fan with a middle set temperature.

OFF—The fan runs all the time, while the compressor cycles on and off.

Fan Only Mode

Use the Fan Only Mode at Low, Med or High fan speed to provide air circulation and filtering without cooling. Since fan-only settings do not provide cooling, a Set temperature cannot be entered. The room temperature will appear in the display.

Using the Air Conditioner

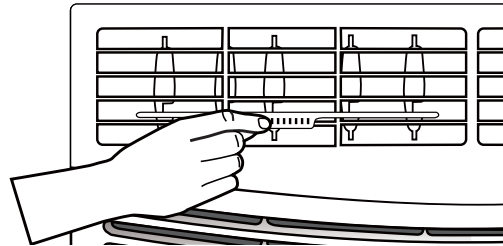
Auto Fan Mode

Set to **Auto** for the fan speed to automatically set to the speed needed to provide optimum comfort settings with the set temperature.

If the room needs more cooling, the fan speed will automatically increase. If the room needs less cooling, the fan speed will automatically decrease.

Air Direction

Use the lever to adjust the air direction left to right.



Care and Cleaning

Grille and Case

Turn the air conditioner off and remove the plug from the wall outlet before cleaning.

To clean, use water and a mild detergent. Do not use bleach or abrasives.

Air Filter

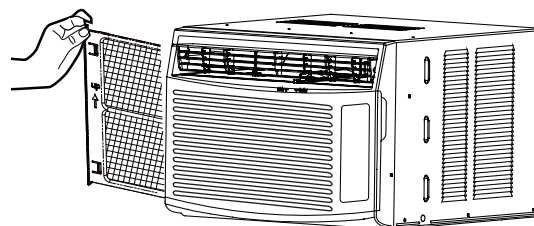
The air filter behind the front grille should be checked and cleaned at least every 30 days or more often if necessary.

To remove:

Slide the filter from the left side of the unit. Remove the filter.

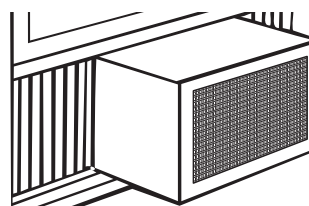
Clean the filter with warm, soapy water. Rinse and let the filter dry before replacing it. Do not clean the filter in a dishwasher.

CAUTION DO NOT operate the air conditioner without a filter because dirt and lint will clog it and reduce performance.



Outdoor Coils

The coils on the outdoor side of the air conditioner should be checked regularly. If they are clogged with dirt or soot, they may be professionally cleaned.



How to Insert the Batteries in the Remote Control

1. Remove the battery cover by sliding it according to the arrow direction.
2. Insert new batteries, making sure that the (+) and (-) of battery are installed correctly.
3. Reattach the cover by sliding it back into position.

NOTES:

- Use 2 “AAA” (1.5 volt) batteries. Do not use rechargeable batteries.
- Remove the batteries from the remote control if the system is not going to be used for a long time.
- Do not mix old and new batteries. Do not mix standard (carbon-zinc) or rechargeable (ni-cad, ni-mh, etc) batteries.

Installation Instructions

Questions? Visit our Website at: GEAppliances.com

BEFORE YOU BEGIN

Read these instructions completely and carefully.

- **IMPORTANT** — Save these instructions for local inspector's use.
- **IMPORTANT** — Observe all governing codes and ordinances.
- **Note to Installer** — Be sure to leave these instructions with the Consumer.
- **Note to Consumer** — Keep these instructions for future reference.
- **Skill level** — Installation of this appliance requires basic mechanical skills.
- **Completion time** — Approximately 1 hour
- We recommend that two people install this product.
- Proper installation is the responsibility of the installer.
- Product failure due to improper installation is not covered under the Warranty.
- You **MUST** use all supplied parts and use proper installation procedures as described in these instructions when installing this air conditioner.

ELECTRICAL REQUIREMENTS



These models require a 115/120-volt AC, 60-Hz grounded outlet protected with a 15-amp time-delay fuse or circuit breaker.

The 3-prong grounding plug minimizes the possibility of electric shock hazard. If the wall outlet you plan to use is only a 2-prong outlet, it is your responsibility to have it replaced with a properly grounded 3-prong wall outlet.

⚠ CAUTION

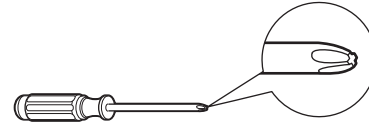
Do not, under any circumstances, cut or remove the third (ground) prong from the power cord.

Do not change the plug on the power cord of this air conditioner.

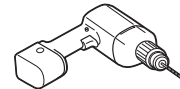
Aluminum house wiring may present special problems—consult a qualified electrician.

Power cord includes a current interrupter device. A test and reset button is provided on the plug case. The device should be tested on a periodic basis by first pressing the **TEST** button and then the **RESET** button while plugged into the outlet. If the **TEST** button does not trip or if the **RESET** button will not stay engaged, discontinue use of the air conditioner and contact a qualified service technician.

TOOLS YOU WILL NEED



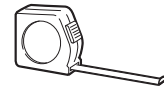
Phillips head screwdriver



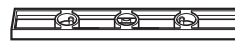
Drill and 1/8" drill bit



Pencil



Ruler or tape measure



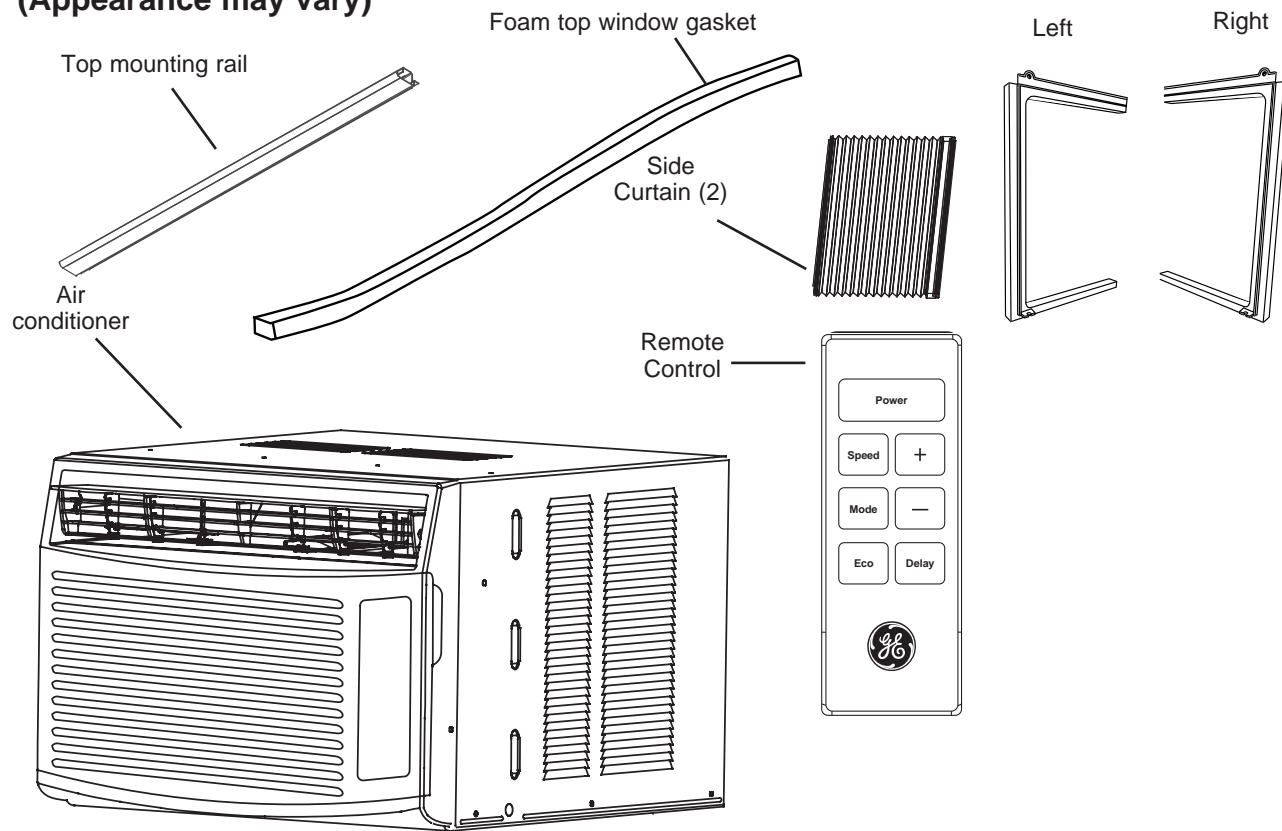
Level



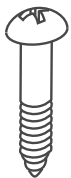
Scissors or knife

Installation Instructions

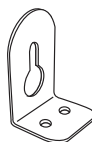
PARTS INCLUDED (Appearance may vary)



Type A (3)



Type B (9)



Side Brackets
(2)

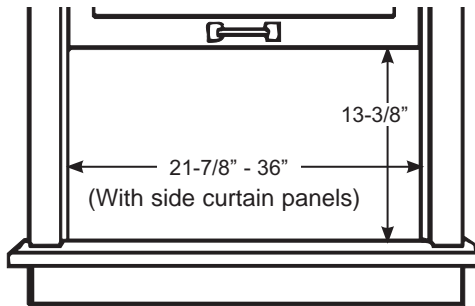


Window locking
bracket (1)

Installation Instructions

1. WINDOW REQUIREMENTS

- These instructions are for a standard double-hung window. You will need to modify them for other types of windows.
- The air conditioner can be installed without the side curtain panels if needed to fit in a narrow window. See the window opening dimensions.
- All supporting parts must be secured to firm wood, masonry or metal.
- The electrical outlet must be within reach of the power cord.
- Follow the dimensions in the table and illustration for your model.



2. STORM WINDOW REQUIREMENTS

A storm window frame will not allow the air conditioner to tilt toward the outside, and will keep it from draining properly. To adjust for this, attach a piece of wood to the sill.

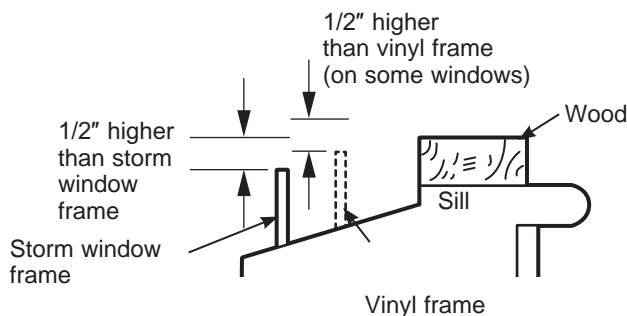
WOOD PIECES

WIDTH: 2"

LENGTH: Long enough to fit inside the window frame.

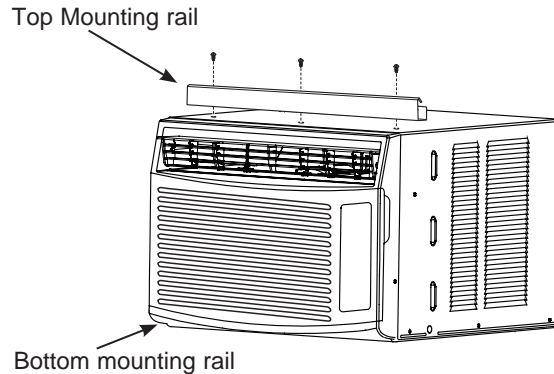
THICKNESS: To determine the thickness, place a piece of wood on the sill to make it 1/2" higher than the top of the storm window frame or the vinyl frame.

Attach securely with nails or screws provided by the installer.

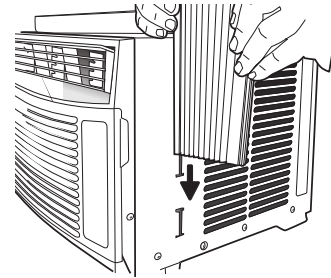


3. PREPARE THE AIR CONDITIONER

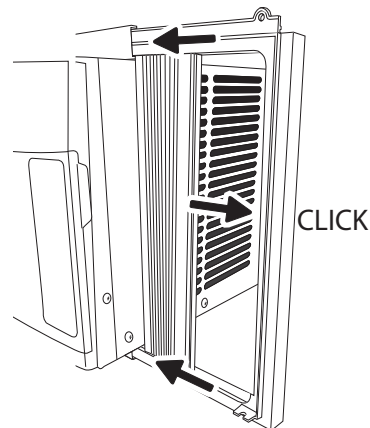
- A.** Install the top mounting rail with Type A screws from the outside of the case.



- B.** Slide the side curtain panels into the side panel rails.



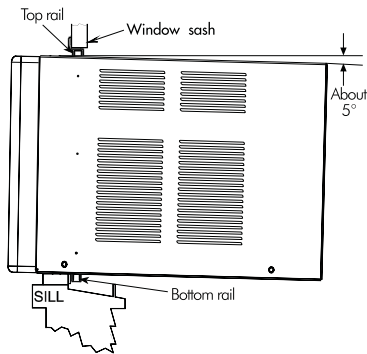
- C.** Slide left and right side curtain frames into top and bottom rails. Make sure that side curtains snap into side of the frames.



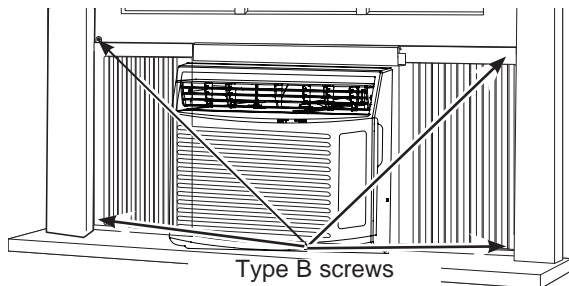
Installation Instructions

4. INSTALL THE AIR CONDITIONER IN THE WINDOW

- A. Mark the center of the window. Set the air conditioner in the window so that it is centered. Place the air conditioner so that front edge of the bottom mounting rail is against the back edge of the sill.
- B. Bring the window down so that the front edge of the top mounting is in front of the window. Make sure that the air conditioner is level or tilting slightly to the outside.

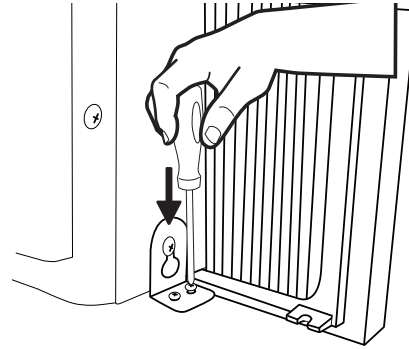


- C. Extend the curtain panels until they fill the window. Mark the location of the holes in each corner. Use the drill and 1/8" drill bit to drill pilot holes. Use 4 type B screws to secure the side panels in place.

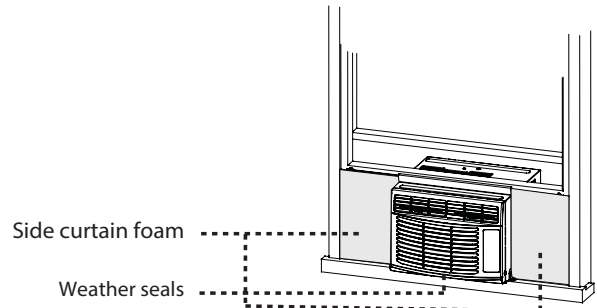


5. SECURE AIR CONDITIONER

- A. Loosen the screw on the right hand side of the air conditioner near the bottom.
- B. Slide a side bracket over the screw so that the bracket is resting on the window sill. Tighten the screw.



- C. Use a 1/8" drill bit to drill a starter hole into the window sill through the holes in the side bracket. Use 4 type B screws to attach the side bracket to the window sill.
- D. Repeat the side bracket installation on the left side.



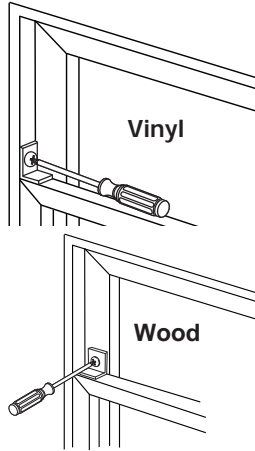
Installation Instructions

6. INSTALL WINDOW LOCK BRACKET AND FOAM TOP WINDOW GASKET

Use Type B Screw to install the window lock bracket on top of the bottom window.

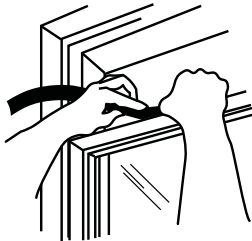
A. **CAUTION**

To prevent broken glass or damage to windows, on vinyl or other similarly constructed windows, attach the window locking bracket to the window side jamb with one Type B screw.



B. Cut the foam top window gasket to the window width.

C. Stuff the foam between the glass and the window to prevent air and insects from getting into the room.



NOTE: If the gasket supplied does not fit your window, obtain appropriate material locally to provide a proper installation seal.

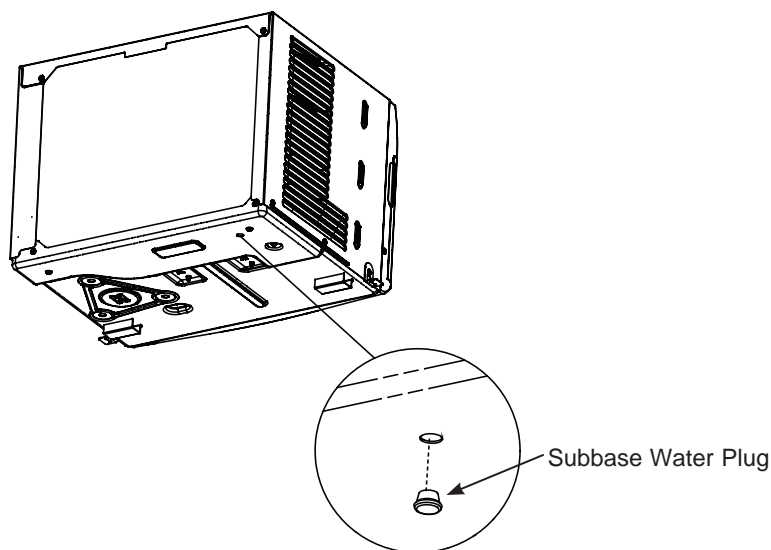
Troubleshooting Tips... Before you call for service

Save time and money! Review the charts on the following pages first and you may not need to call for service.

Problem	Possible Cause	What To Do
Air conditioner does not start.	The unit is unplugged.	Make sure the air conditioner plug is pushed completely into the outlet.
	The fuse is blown/circuit breaker is tripped.	Check the house fuse/circuit breaker box and replace the fuse or reset the breaker.
	Power Failure.	The unit will automatically restart in the setting last used after the power is restored. There is a protective time delay (approximately 3 minutes) to prevent tripping of the compressor overload. For this reason, the unit may not start normal cooling for 3 minutes after it is turned back on.
	The current interrupter device is tripped.	Press RESET button located on the power cord plug. If the RESET button will not stay engaged, discontinue use of the air conditioner and contact a qualified service technician.
Air conditioner does not cool as it should.	Indoor airflow is restricted.	Make sure there are not curtains, blinds or furniture blocking the front of the air conditioner.
	The temp control may not be set properly.	Turn the temperature control to a higher number.
	The air filter is dirty.	Clean the filter at least every 30 days. See Care and Cleaning section.
	The room may have been hot.	When the air conditioner is first turned on, you need to allow time for the room to cool down.
	Cold air is escaping.	Check for open furnace registers and cold air returns.
	Cooling coils have iced up.	See "Air conditioner freezing up" below.
Air conditioner freezing up	Ice blocks the air flow and stops the air conditioner from cooling the room.	Set the mode control to High Fan or High Cool with the temperature setting as high as it can be set.
Water drips outside	Hot, humid weather.	This is normal.
Water drips inside	The air conditioner is not tilted to the outside.	For proper disposal, make sure the air conditioner slants slightly from the case front to the rear.
Water collects in base pan	Moisture removed from air and drain into base pan.	This is normal for a short period in areas with little humidity; normal for a longer period in very humid areas.

Normal Operating Sounds

- You may hear a pinging noise caused by water being picked up and thrown against the condenser on rainy days or when the humidity is high. This design feature helps remove moisture and improve efficiency.
- You may hear the thermostat click when the compressor cycles on and off.
- Water will collect in the base pan during high humidity or on rainy days. The water may overflow and drip from the outdoor side of the unit.
- The fan may run even when the compressor does not.
- Water droplets being thrown against the outside coils can make a pinging noise. This helps cool the condenser. You can reduce this noise by removing the subbase water plug.



To ensure maximum efficiency it is recommended to check to ensure the rubber drain plug is properly inserted. This plug may be removed during operation to minimize water in the back of the unit; however, removing it will lower the efficiency of your unit.

NOTE: Do not drill hole in the base pan.

Notes

GE Appliances Air Conditioner Limited Warranty

LIMITED WARRANTY

Staple your receipt here.
Proof of the original purchase date is needed to make a warranty claim.

For The Period Of:	Will Replace:
One Year From the date of the original purchase	Replacement, repair, or refund of the original retail price for any product which fails due to a defect in materials or workmanship. If the unit is exchanged, the replacement unit is warranted for the remainder of your product's original one-year warranty period. GE Appliances will, at its sole discretion, replace the product with a product of the same or comparable functionality and quality or refund the original retail price.

In Order to Make a Warranty Claim During Your Retailer's Allowable Return Period:

- Properly pack your unit. We recommend using the original carton and packing materials.
- Return the product to the retail location where it was purchased.
- Include in the package a copy of the sales receipt or other evidence of date of original purchase. Also print your name and address and a description of the defect.

In Order to Make a Warranty Claim During the Remainder of the One-Year Warranty:

- Locate your original sales receipt and make a note of your model and serial number.
- Visit GEAppliances.com/service to initiate the product replacement process.
- You will be asked to provide your name, address, date of purchase, model and serial number.
- GE Appliances will arrange for a carton to be sent to your home to recover the product.
- Please return all requested materials (postage pre-paid) in the carton provided. Please include a description of the defect.
- You should receive your replacement product or refund within 7 to 10 business days after your package is received.

What Will Not Cover:

- Customer instruction. This owner's manual provides information regarding operating instructions and user controls.
- Improper installation. If you have an installation problem, or if the air conditioner is of improper capacity, contact your dealer or installer. You are responsible for providing adequate electrical connecting facilities.
- Failure of the product resulting from modifications to the product or due to unreasonable use including failure to provide reasonable and necessary maintenance.
- Replacement of house fuses or resetting of circuit breakers.
- Failure due to corrosion on models not corrosion-protected.
- Damage to the product caused by improper power supply voltage, accident, fire, floods or acts of God.
- Incidental or consequential damage caused by possible defects with this air conditioner.
- Damage caused after delivery.

EXCLUSION OF IMPLIED WARRANTIES - Your sole and exclusive remedy is product repair as provided in this Limited Warranty. Any implied warranties, including the implied warranties of merchantability or fitness for a particular purpose, are limited to one year or the shortest period allowed by law.

For US Customers: This limited warranty is extended to the original purchaser and any succeeding owner for products purchased for home use within the USA. If the product is located in an area where service by a GE Appliances Authorized Servicer is not available, you may be responsible for a trip charge or you may be required to bring the product to an Authorized GE Appliances Service location for service. In Alaska, the limited warranty excludes the cost of shipping or service calls to your home.

Some states do not allow the exclusion or limitation of incidental or consequential damages. This limited warranty gives you specific legal rights, and you may also have other rights which vary from state to state. To know what your legal rights are, consult your local or state consumer affairs office or your state's Attorney General.

Warrantor US:
GE Appliances, a Haier company
Louisville, KY 40225

Consumer Support

GE Appliances Website

Have a question or need assistance with your appliance? Try the GE Appliances Website 24 hours a day, any day of the year! You can also shop for more great GE Appliances products and take advantage of all our on-line support services designed for your convenience. In the US: **GEAppliances.com**

Register Your Appliance

Register your new appliance on-line at your convenience! Timely product registration will allow for enhanced communication and prompt service under the terms of your warranty, should the need arise. You may also mail in the pre-printed registration card included in the packing material. In the US: **GEAppliances.com/register**

Parts and Accessories

Individuals qualified to service their own appliances can have parts or accessories sent directly to their homes (VISA, MasterCard and Discover cards are accepted). Order on-line today 24 hours every day. In the US: **GEApplianceparts.com** or by phone at 877.959.8688 during normal business hours.

Instructions contained in this manual cover procedures to be performed by any user. Other servicing generally should be referred to qualified service personnel. Caution must be exercised, since improper servicing may cause unsafe operation.

Contact Us

If you are not satisfied with the service you receive from GE Appliances, contact us on our Website with all the details including your phone number, or write to:

In the US: General Manager, Customer Relations | GE Appliances, Appliance Park | Louisville, KY 40225
GEAppliances.com/ge/service-and-support/contact.htm



ACCONDICIONADORES DE AIRE PARA SALA

INFORMACIÓN DE SEGURIDAD ...3

USO DEL ACONDICIONADOR DE AIRE

Controles	4
Control Remoto	5
Modo de Frío	5
Modo de Ahorro de Energía	5
Dirección del Aire	6

CUIDADO Y LIMPIEZA

Parrilla y Caja	6
Filtro de Aire	6
Bobinas Externas	6
Instalación de Baterías en el Modo Remoto	6

INSTRUCCIONES DE INSTALACIÓN

Antes de comenzar	7
Requisitos Eléctricos	7
Piezas Incluidas	8
Requisitos de la Ventana	9
Preparación del Acondicionador de Aire ..	9
Instalación del Acondicionador de Aire ..	10

CONSEJOS PARA LA SOLUCIÓN DE PROBLEMAS

Sonidos de Funcionamiento Normal	15
--	----

SOPORTE AL CLIENTE

Garantía Limitada	7
Soporte al Cliente	18

MANUAL DEL PROPIETARIO

AHEE06AC
 AHQ06LZ
 AHEF06BC

Escriba los números de modelo y de serie aquí:

Nº de Modelo _____

Nº de Serie _____

Estos números se encuentran en una etiqueta al costado del acondicionador de aire.

GRACIAS POR HACER QUE GE APPLIANCES SEA PARTE DE SU HOGAR.

Ya sea que haya crecido usando GE Appliances, o que ésta es su primera vez, nos complace tenerlo en la familia.

Sentimos orgullo por el nivel de arte, innovación y diseño de cada uno de los electrodomésticos de GE Appliances, y creemos que usted también. Entre otras cosas, el registro de su electrodoméstico asegura que podamos entregarle información importante del producto y detalles de la garantía cuando los necesite.

Registre su electrodoméstico GE ahora a través de Internet. Sitios Web y números telefónicos útiles están disponibles en la sección de Soporte para el Consumidor de este Manual del Propietario.

También puede enviar una carta en la tarjeta de inscripción preimpresa que se incluye con el material embalado.



GE APPLIANCES

INFORMACIÓN IMPORTANTE DE SEGURIDAD

LEA TODAS LAS INSTRUCCIONES ANTES DE USAR

⚠ ADVERTENCIA Para su seguridad, siga las instrucciones de este manual a fin de minimizar riesgos de incendio, descargas eléctricas o heridas personales.

- Use este electrodoméstico sólo para su propósito original, como se describe en el Manual del Propietario.
- Este acondicionador de aire se debe instalar de forma apropiada de acuerdo con las Instrucciones de Instalación antes de ser usado.
- Nunca desenchufe su acondicionador de aire empujando el cable de corriente. Siempre tome su enchufe de manera firme y empuje el mismo hacia afuera del receptáculo.
- Reemplace de inmediato todos los cables del servicio de electricidad pelados o con cualquier tipo de daño. Un cable del servicio de corriente que esté dañado deberá ser reemplazado por uno nuevo provisto por el fabricante, y no deberá ser reparado. No use un cable con cortaduras o abrasión sobre su extensión o en cualquiera de sus enchufes o extremos.
- Coloque la unidad en OFF (Apagado) y desenchufe el acondicionador de aire antes de usar el mismo.
- Para su seguridad... no acumule ni use materiales combustibles, gasolina u otros vapores o líquidos inflamables cerca de éste u otro electrodoméstico.
- Si el receptáculo no coincide con el enchufe, el cambio del mismo deberá ser realizado por un electricista calificado.



⚠ ADVERTENCIA Riesgo de Incendio o Explosión. Esta unidad contiene refrigerante inflamable. Se deben seguir las precauciones adicionales de seguridad.

- A fin de acelerar el proceso de descongelación o para limpiar, no use ningún método que no sea el recomendado por el fabricante.
- Este electrodoméstico deberá ser guardado en una sala donde no haya fuentes de encendido continuas (por ejemplo: llamas abiertas, un electrodoméstico que funcione a gas o un calefactor que funcione a electricidad).
- No perforo ni queme el tubo refrigerante. Tenga presente que los refrigerantes no deben tener olor.
- Mantenga las aberturas de la ventilación libres de obstrucciones.
- Al mover, instalar y operar el electrodoméstico, se deberá tener cuidado para evitar dañar la tubería del refrigerante.
- No realice perforaciones en la unidad.
- El mantenimiento, la limpieza y el servicio técnico sólo deberán ser realizados por técnicos adecuadamente entrenados y calificados en el uso de refrigerantes inflamables.
- GE Appliances no suministra servicio técnico para el acondicionador de aire.
- Descarte el electrodoméstico de acuerdo con las Regulaciones Federales y Locales. Los refrigerantes inflamables requieren procedimientos de descarte específicos. A fin de descartar su acondicionador de aire de forma ambientalmente segura, comuníquese con las autoridades locales.

LEA Y GUARDE ESTAS INSTRUCCIONES

INFORMACIÓN IMPORTANTE DE SEGURIDAD LEA TODAS LAS INSTRUCCIONES ANTES DE USAR

▲ ADVERTENCIA USO DE PROLONGADORES

RIESGO DE INCENDIO. Podría ocasionar lesiones graves o la muerte.

- NO use un prolongador con este Acondicionador de Aire de Ventana.

- NO use protectores contra picos de corriente ni adaptadores para múltiples tomacorrientes con este Acondicionador de Aire de Ventana.

CÓMO CONECTAR LA ELECTRICIDAD

Nunca, bajo ninguna circunstancia, corte o elimine el tercer cable (tierra) del cable de corriente. Para su seguridad personal, este electrodoméstico debe estar adecuadamente conectado a tierra.

NO use un enchufe adaptador con este electrodoméstico.

El cable de corriente de este electrodoméstico contiene un enchufe de 3 cables (conexión a tierra) que se conecta a un tomacorriente de pared estándar de 3 cables (conexión a tierra) para minimizar la posibilidad de riesgos de descargas eléctricas por parte del mismo.

El cable de corriente incluye un interruptor de corriente. Se brinda un botón de evaluación y reinicio en la caja del enchufe. El dispositivo deberá ser evaluado en forma periódica, presionando primero el botón **TEST** (Evaluar) y luego **RESET** (Reinicio) mientras se encuentre enchufado al tomacorriente. Si el botón **TEST** (Evaluar) no se activa o el botón **RESET** (Reinicio) no permanece en su posición, deje de usar el acondicionador de aire y comuníquese con un técnico calificado del servicio.

Contrate a un electricista calificado para que controle el tomacorriente y el circuito eléctrico para asegurar que el enchufe esté correctamente conectado a tierra.

En caso de contar con un tomacorriente de pared de 2 cables, es su responsabilidad y obligación reemplazarlo por un tomacorriente de pared de 3 cables correctamente conectado a tierra.

El acondicionador de aire debería estar siempre conectado a un enchufe específico con un índice de voltaje equivalente al que figura en su etiqueta de características técnicas.

Esto garantiza el mejor funcionamiento y además previene la sobrecarga de los circuitos del hogar, lo cual podría ocasionar riesgos de incendio debido al recalentamiento de cables.

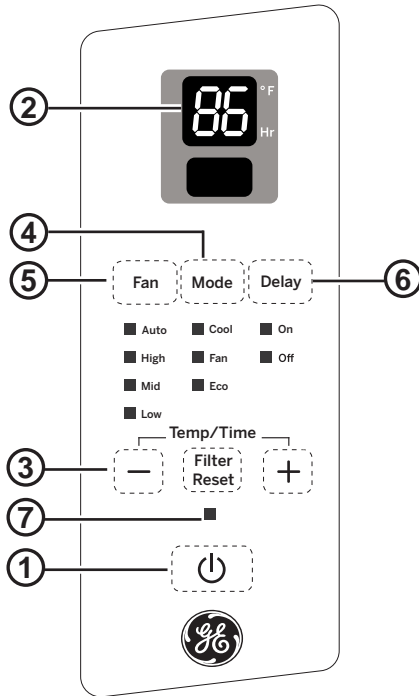
Para conocer los requisitos específicos de la conexión eléctrica, consulte las Instrucciones de Instalación, Requisitos Eléctricos.

LEA Y GUARDE ESTAS INSTRUCCIONES

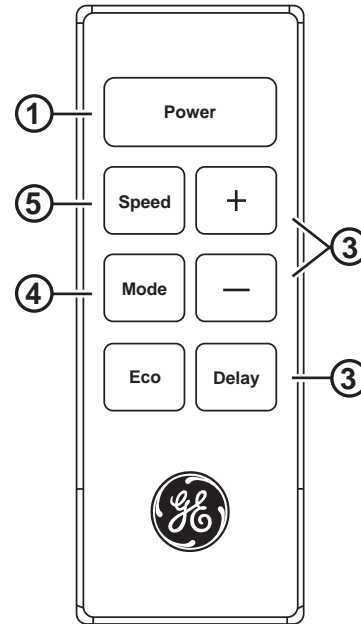
Controles

Las funciones y la apariencia podrán variar.

Las luces junto a las teclas táctiles del panel de control del acondicionador de aire indican las configuraciones seleccionadas.



Controles del Acondicionador de Aire



Control Remoto

Controles

1. Tecla de Power (Encendido)

Apaga y prende el acondicionador de aire. Al encenderse, la pantalla mostrará la temperatura **Definida**.

2. Pantalla

Muestra la temperatura **Definida** o el tiempo restante en el Sincronizador de retardo. Muestra la temperatura **Definida** al configurar la temperatura en los modos **Cool (Frío)** o de **Energy Saver (Ahorro de energía)**. La luz de **Ajuste** se encenderá durante la configuración.

3. Teclas de Temp Aumento + /Reducción –

Usado para ajustar la temperatura cuando se encuentre en el modo **Cool (Frío)** o **ECO**. La luz de Ajuste se encenderá durante la configuración.

4. Tecla de MODO

Usado para ajustar el acondicionador de aire al modo **Cool (Frío)** o **ECO**.

5. Teclas de Fan Speed (Velocidad del ventilador)

En modo **Cool (Frío)** o **ECO**:
Use las mismas para configurar la velocidad del ventilador en **Auto**, **High (Alto)**, **Med (Medio)**, o **Low (Bajo)** en la unidad.

En modo **Teclas de Fan Speed (Velocidad del ventilador)**:

Use las mismas para configurar la velocidad del ventilador en **High (Alto)**, **Med (Medio)**, o **Low (Bajo)** en la unidad.

6. Tecla de Retraso

Delay ON (Retraso Encendido)—Cuando el acondicionador de aire se encuentre apagado, se podrá configurar para que se encienda automáticamente en un período de entre 1 y 24 horas en el modo y configuraciones del ventilador previas.

Delay OFF (Retraso del Apagado)—Cuando el acondicionador de aire se encuentre encendido, se podrá configurar automáticamente para que se apague en un período de entre 1 y 24 horas.

Cómo configurar:

Presione la tecla **Delay 1–24hr (Retraso entre 1 y 24 hrs.)** en la unidad o en el control remoto. Cada vez que presione las teclas **Increase (Incrementar) + / Decrease (Reducir) –** de la unidad del control remoto se ajustará el temporizador por intervalos de 1 hora.

Para revisar el tiempo restante en el temporizador de **Delay 1–24hr (Retraso entre 1 y 24 hrs.)**, presione la tecla **Delay 1–24hr (Retraso entre 1 y 24 hrs.)** de la unidad o del control remoto. Use las teclas **Increase (Incrementar) + / Decrease (Reducir) –** de la unidad del control remoto para configurar un tiempo nuevo si así lo desea.

Para cancelar el temporizador, presione la tecla **reducir –** en la unidad o en el control remoto, hasta que el tiempo configurado sea cero. Luego de 3 segundos, la luz de la tecla **Delay 1-24 hour (Retraso de 1 a 24 horas)** se apaga.

7. Tecla de Reinicio del Filtro

Esta función automática le notifica que el filtro de aire debe ser limpiado. La luz indicadora se encenderá luego de 250 horas de funcionamiento. Limpie el filtro de aire (consulte la página 8), vuelva a colocarlo en el panel frontal, y presione la tecla **Filter Reset (Reinicio del Filtro)**. La luz se apagará.

Uso del Acondicionador de Aire

No Utilizar con Condiciones Climáticas Exteriores de Congelación

Este acondicionador de aire sólo frío no fue diseñado para uso con condiciones climáticas exteriores de temperatura helada.

No deberá ser usado con condiciones climáticas exteriores de temperatura helada.

Control Remoto

- Para asegurar un uso apropiado, apunte el control remoto al receptor de señal del acondicionador de aire.
- La señal del control remoto cuenta con un alcance de hasta 20 pies.
- Asegúrese de que no haya obstrucciones entre el acondicionador de aire y el control remoto que pudieran bloquear la señal.
- Asegúrese de que las pilas sean nuevas y que estén instaladas correctamente, como se indica en el control remoto.

Modo Cool (Frío)

Use el modo **Cool (Frío)** a **Low (Bajo)**, **Med (Medio)**, **High (Alto)** o **Auto Fan Speed (Velocidad de ventilador automática)** para enfriar. Use las teclas de **Temperature (Temperatura) Aumento +/- Reducción -** para ajustar a la temperatura deseada entre 64°F y 86°F en incrementos de 1°F.

Se usa un termostato electrónico para mantener la temperatura ambiente. El compresor hará ciclo entre apagado y encendido para mantener la habitación a la temperatura deseada. Ajuste el termostato a un número menor y el aire interno se enfriará más. Si lo ajusta a un número mayor, la temperatura del aire interno se calentará más.

NOTA: Si el acondicionador de aire está apagado y luego se enciende mientras se ajusta en la configuración Cool (Frío) o si se pasa de una configuración de ventilación a una configuración de Cool (Frío), es posible que al compresor le tome aproximadamente 3 minutos comenzar y que comience la refrigeración.

Descripciones de enfriamiento

Para enfriamiento normal—Seleccione el modo **Cool (Frío)** y ventilador **High (Alto)** o **Med (Medio)** con una temperatura de ajuste media.

Para enfriamiento máximo—Seleccione el modo **Cool (Frío)** y ventilador **High (Alto)** con una temperatura de ajuste menor.

Para enfriamiento silencioso y enfriamiento nocturno—Seleccione el modo **Cool (Frío)** y ventilador **Low (Bajo)** con una temperatura de ajuste media.

Energy Saver Mode (Modo de ahorro de energía)

Controla el ventilador.

ON (ENCENDIDO)—El ventilador hará un ciclo de encendido y apagado con el compresor. Este resulta en variaciones mayores en la temperatura de la habitación y en la humedad. **NOTA:** es posible que el ventilador continúe funcionando durante un período de tiempo corto o que tittle de forma intermitente cuando el compresor finalice su ciclo para probar el aire de la sala.

OFF (APAGADO)—El ventilador funciona todo el tiempo, mientras que el compresor pasa por los ciclos de encendido y apagado.

Modo de Fan Only (Solo ventilador)

Use Fan Only Mode (Modo de Sólo Ventilador) en la velocidad de ventilador Low (Baja), Med (Media) o High (Alta), a fin de brindar una circulación de aire y filtrado sin enfriamiento. Debido a que las configuraciones de sólo ventilador no

brindan enfriamiento, no se podrá ingresar una temperatura configurada. La temperatura del ambiente aparecerá en la pantalla.

Uso del Acondicionador de Aire

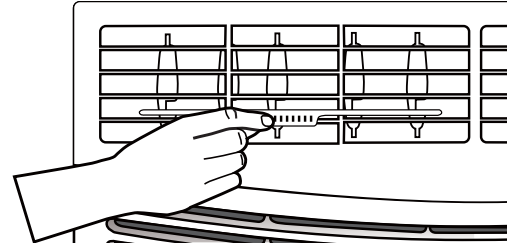
Velocidad Automática del Ventilador

Configure en **Auto (Automática)** para que la velocidad del ventilador se configure de forma automática en la velocidad necesaria para brindar ajustes de confort óptimos con la temperatura configurada.

Si se necesita más frío en la habitación, la velocidad del ventilador se incrementará de forma automática. Si se necesita más frío en la habitación, la velocidad del ventilador se reducirá de forma automática.

Dirección del Aire

Use la palanca para ajustar la dirección del aire hacia la izquierda o la derecha únicamente.



Cuidado y limpieza

Parrilla y Caja

Apague el acondicionador de aire y retire el enchufe del tomacorriente antes de limpiar.

Para limpiar, use agua y un detergente suave. No use blanqueadores ni abrasivos.

Filtro de Aire

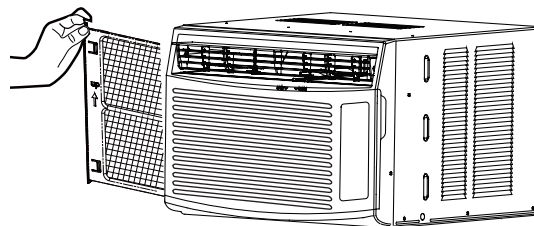
El filtro de aire que se encuentra detrás de la rejilla frontal se debe revisar y limpiar por lo menos cada 30 días o con una frecuencia mayor, si fuera necesario.

Para retirar:

Deslice el filtro desde el lado izquierdo de la unidad. Retire el filtro.

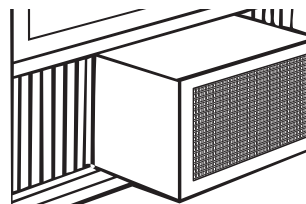
Limpie el filtro con agua caliente y jabón. Enjuague y deje secar el filtro antes de su reemplazo. No limpie el filtro en un lavavajillas.

⚠ PRECAUCIÓN NO utilice el acondicionador de aire sin un filtro, ya que la suciedad y las pelusas producirán atascamientos y reducirán su funcionamiento.



Bobinas Exteriores

Las bobinas del lado exterior del acondicionador de aire se deberán controlar de forma regular. Si se encuentran atascadas con tierra u hollín, deberán ser limpiadas por un profesional.



Cómo insertar las pilas en el control remoto

1. Retire la cubierta de la pila deslizándola de acuerdo con la dirección de la flecha.
2. Inserte pilas nuevas cerciorándose de que los polos positivos (+) y negativos (-) están orientados correctamente.
3. Coloque la cubierta otra vez deslizándola en su lugar.

NOTAS:

- Use 2 pilas "AAA" de 1,5 voltios. No use pilas recargables.
- Retire las pilas del control remoto si no va a usar el sistema por un período prolongado.
- No mezcle baterías nuevas y viejas. No mezcle baterías estándar (carbono-cinc) o recargables (ni-cad, ni-mh, etc).

Instrucciones de instalación

¿Preguntas? Visite nuestra página en la red en: GEAppliances.com

ANTES DE INICIAR

Lea estas instrucciones completa y cuidadosamente.

- **IMPORTANTE** – Guarde estas instrucciones para uso del inspector local.
- **IMPORTANTE** – Observe todos los códigos y órdenes de ley.
- **Nota al instalador** – Asegúrese de dejar estas instrucciones con el consumidor.
- **Nota al consumidor** – Conserve estas instrucciones para referencia futura.
- **Nivel de destreza** – La instalación de este aparato requiere de destrezas mecánicas básicas.
- **Tiempo de ejecución** – Aprox. 1 hora
- Recomendamos dos personas para la instalación de este producto.
- La instalación apropiada es la responsabilidad del instalador.
- La falla del producto debido a una instalación inadecuada no está cubierta por la garantía.
- Cuando instale este acondicionador de aire, DEBE usar todas las piezas suministradas y usar procedimientos adecuados de instalación.

REQUISITOS ELÉCTRICOS



Algunos modelos requieren tomacorrientes de 115/120 voltios de corriente alterna y 60 Hz conectados a tierra, protegidos con un fusible de dilatación de tiempo de 15 amperios o un cortacircuitos.

El enchufe de tres púas con conexión a tierra minimiza la posibilidad de descargas eléctricas. Si el tomacorriente de la pared que usted planea usar solamente tiene 2 tomas, es su responsabilidad hacer que un técnico lo reemplace por uno de tres tomas con conexión a tierra.

⚠ PRECAUCIÓN

Bajo ninguna circunstancia corte o remueva la tercera púa (conexión a tierra) del cable eléctrico.

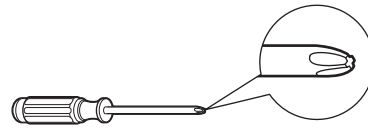
No cambie el enchufe en el cable eléctrico de este acondicionador de aire.

Los cables caseros de aluminio podrían presentar problemas especiales. Consulte a un técnico electricista calificado.

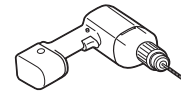
REQUISITOS ELÉCTRICOS (CONT)

El cable de alimentación incluye un dispositivo para interrupción de corriente. Se incluye un botón de prueba y de reinicio en el dispositivo. El dispositivo debe ponerse a prueba periódicamente: primero se presiona el botón de **TEST** (prueba) y luego **RESET** (reinicio) mientras se encuentra enchufado al tomacorriente. Si el botón **TEST** no se dispara o si el botón **RESET** no queda enganchado, deje de utilizar el acondicionador de aire y comuníquese con un técnico calificado.

HERRAMIENTAS QUE NECESITARÁ



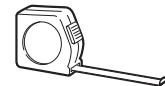
Un destornillador de estrella



Taladro y broca de 1/8"



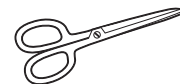
Lápiz



Una regla o cinta métrica



Nivel

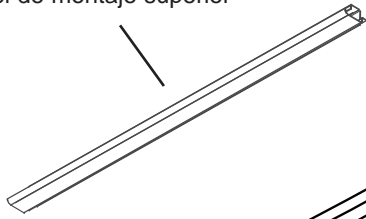


Tijeras o cuchilla

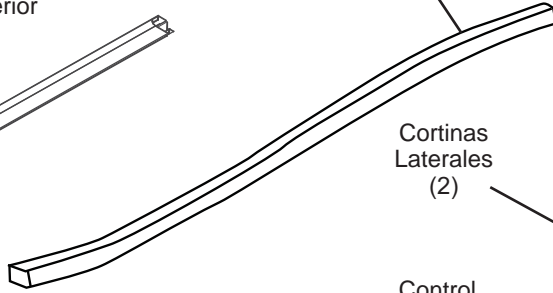
Instrucciones de instalación

PARTES INCLUIDAS (La apariencia puede variar)

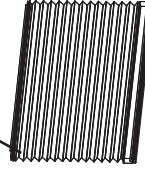
Riel de montaje superior



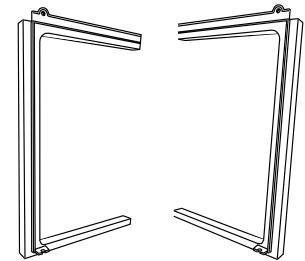
Junta de gomaespuma de la parte superior de la ventana



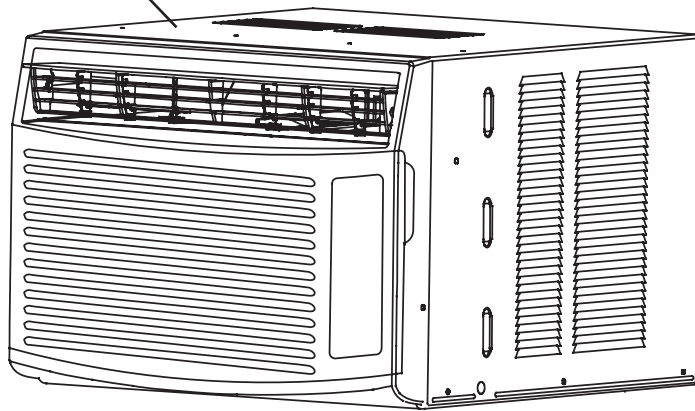
Cortinas Laterales (2)



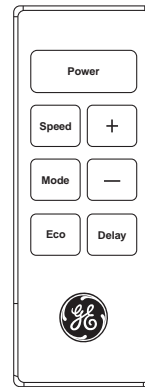
Marcos de la Cortina Lateral
dejado derecho



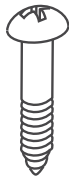
Acondicionador de aire



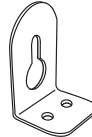
Control Remoto



Tipo A (3)



Tipo B (9)



Soportes Laterales (2)

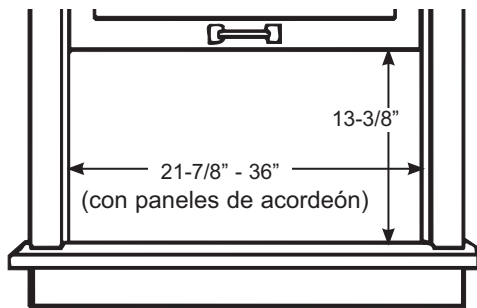


Soporte de Cierre de la Ventana (1)

Instrucciones de instalación

1. REQUISITOS PARA LA VENTANA

- Estas instrucciones son para una ventana estándar de dos pliegues. Usted necesitará modificar el proceso para otros tipos de ventanas.
- El acondicionador de aire puede instalarse sin los paneles de acordeón para ajustarse a una ventana más estrecha. Ver las dimensiones de la abertura de la ventana.
- Todas las partes de apoyo deben quedar totalmente aseguradas a algún metal, mampostería o a la madera.
- El tomacorriente eléctrico debe estar al alcance del cable eléctrico del acondicionador de aire.
- Siga las dimensiones de la tabla y la ilustración según su modelo.



2. REQUISITOS DE UNA VENTANA DE TORMENTAS

Un marco de ventana de tormentas no permitirá que el acondicionador de aire se incline hacia el exterior y evitará que drene apropiadamente. Para solucionar este problema, adhiera un pedazo de madera a el umbral.

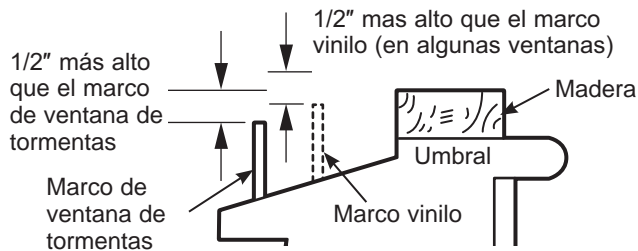
PEDAZOS DE MADERA

ANCHO: 2"

LONGITUD: Lo suficientemente largo como para ajustar en el interior del marco de la ventana.

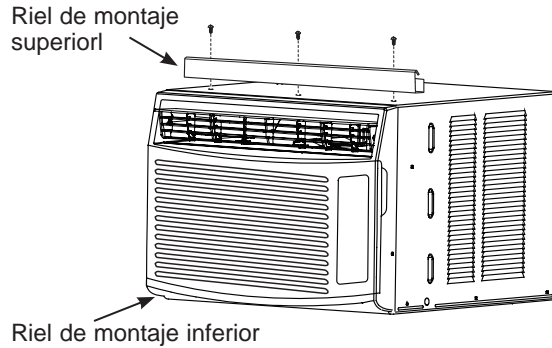
GRUESO: Para determinar el grueso, coloque un pedazo de madera en el umbral para hacerla 1/2" más alta que la parte superior del marco de la ventana de tormentas o del marco vinilo.

Péguelo firmemente con clavos o con tornillos proporcionados por el instalador.

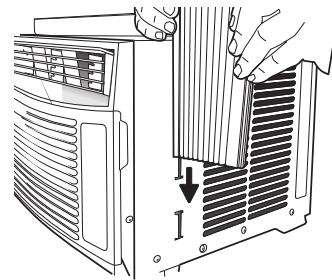


3. PREPARE EL ACONDICIONADOR DE AIRE

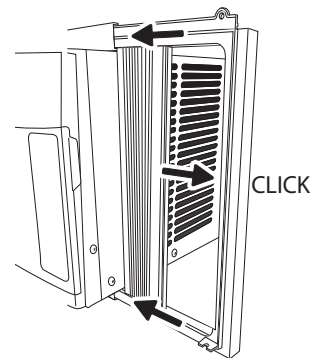
- A.** Instale el riel de montaje superior con tornillos Tipo A desde la parte exterior de la caja.



- B.** Deslice los paneles de la cortina lateral en los rieles del panel lateral.



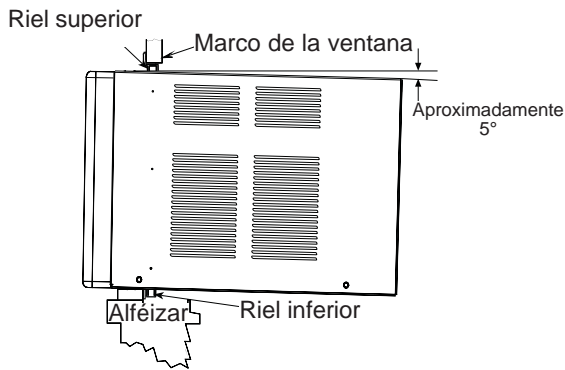
- C.** Deslice los marcos de las cortinas laterales izquierda y derecha en el riel de montaje superior e inferior. Asegúrese de que las cortinas laterales coincidan sobre los costados de los marcos.



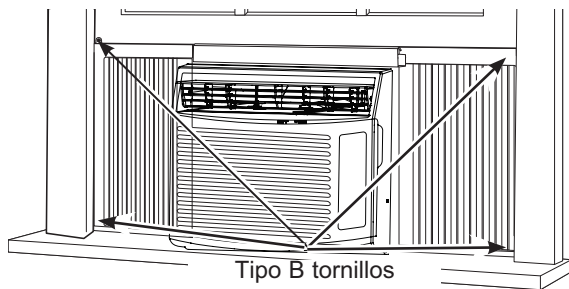
Instrucciones de instalación

4. INSTALE EL ACONDICIONADOR DE AIRE EN LA VENTANA

- A. Marque el centro de la ventana. Coloque el acondicionador de aire en la ventana de modo que se encuentre centrado. Coloque el acondicionador de aire de modo que el extremo frontal del riel de montaje inferior se encuentre contra el extremo trasero del alféizar.
- B. Baje la ventana de modo que el extremo frontal del montaje superior se encuentre delante de la ventana. Asegúrese de que el acondicionador de aire esté nivelado o apenas inclinado hacia el exterior.

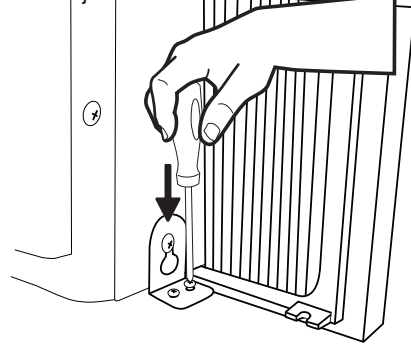


- C. Extienda los paneles de la cortina hasta que llenen la ventana. Marque la ubicación de los agujeros en cada esquina. Use el taladro y una broca de 1/8" para taladrar agujeros piloto. Use 4 tornillos tipo B para asegurar los paneles laterales en sus lugares correspondientes.



5. ASEGURE EL ACONDICIONADOR DE AIRE

- A. Afloje el tornillo del lado derecho del acondicionador de aire, cerca de la parte inferior.
- B. Deslice el soporte lateral sobre el tornillo, de modo que el soporte esté descansando sobre el alféizar de la ventana. Ajuste el tornillo.



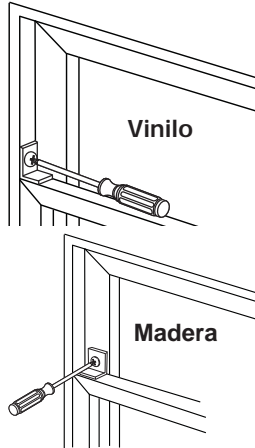
- C. Use una broca de 1/8" para taladrar un agujero inicial en el alféizar de la ventana, a través de los agujeros del soporte lateral. Use 4 tornillos tipo B para unir el soporte lateral al alféizar de la ventana.
- D. Repita la instalación del soporte lateral en el lateral izquierdo.

6. INSTALE EL SOPORTE DE LA TRABA DE LA VENTANA Y LA JUNTA SUPERIOR DE GOMAESPUMA DE LA VENTANA

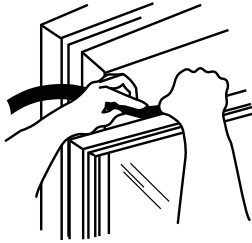
Use un tornillo tipo B para instalar el soporte de bloqueo arriba de la parte inferior de la ventana.

⚠ PRECAUCIÓN

- A. Para evitar la rotura de vidrios o daños sobre las ventanas, sobre vinilo o ventanas construidas de manera similar, adjunte el soporte de bloqueo de la ventana a la jamba lateral de la ventana con un tornillo Tipo B.



- B. Corte la junta de gomaespuma superior de la ventana del mismo ancho que la ventana.
- C. Coloque la gomaespuma entre el vidrio y la ventana para evitar el ingreso de aire e insectos a la habitación.



NOTA: Si la junta provista no se ajusta a su ventana, obtenga el material apropiado en forma local para contar con un sellado correcto en la instalación.

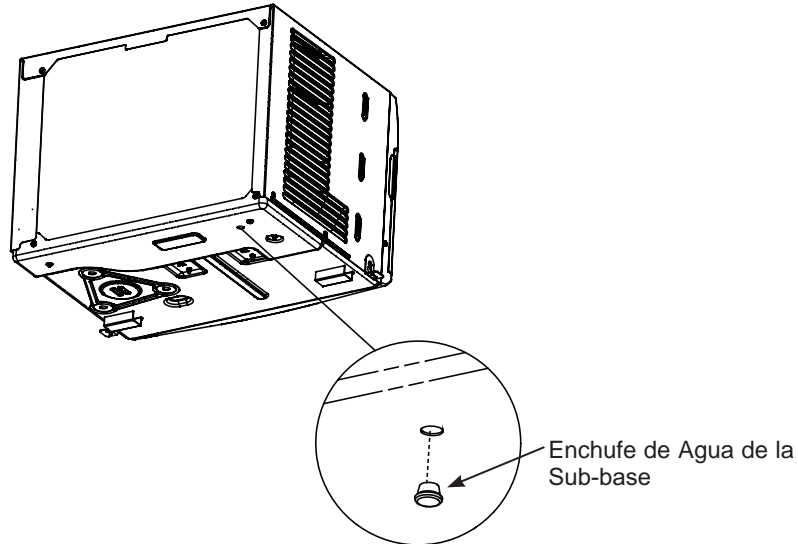
Consejos para la Solución de Problemas... Antes de solicitar el servicio técnico

¡Ahorre tiempo y dinero! Primero revise los cuadros que aparecen en las siguientes páginas y es posible que no necesite solicitar reparaciones.

Problema	Causas posibles	Qué hacer
El acondicionador de aire no enciende	El acondicionador de aire está desconectado.	Cerchiórese de que el acondicionador de aire está enchufado totalmente en el tomacorriente.
	El fusible se disparó/ el cortacircuitos se disparó.	Inspeccione los fusibles / caja de interruptores de la casa y reemplace cualquier fusible o reajuste el interruptor.
	Interrupción en el suministro eléctrico.	La unidad se reiniciará automáticamente con la configuración utilizada por última vez luego de reestablecer la electricidad. Existe un retraso de tiempo por protección (de aproximadamente 3 minutos) para evitar la desconexión por sobrecarga del compresor. Por esta razón, es posible que la unidad no comience a enfriar de forma normal hasta transcurridos 3 minutos desde que volvió a encenderse.
	El dispositivo de interrupción de corriente se ha activado.	Presione el botón RESET ubicado en el cable de alimentación. Si el botón RESET no se mantiene en su lugar, no utilice más el acondicionador de aire y comuníquese con un técnico calificado.
El acondicionador de aire no enfría como debería	El flujo de aire está restringido.	Cerchiórese de que no existe ninguna cortina, persiana o mueble bloqueando el frente del acondicionador de aire.
	El control de temperatura no está ajustado apropiadamente.	En los modelos con botones, gire la temperatura a un número mayor.
	El filtro de aire está sucio.	Limpie el filtro cada 30 días por lo menos. Ver la sección de Cuidado y limpieza.
	La habitación podría haber estado caliente.	Cuando el acondicionador de aire se enciende, usted necesita darle tiempo para que enfríe la habitación.
	El aire frío se está escapando.	Cerchiórese de que los registros de la calefacción no están abiertos y se encuentran retornando el aire frío.
	Las bobinas de enfriamiento se congelaron.	Ver "Acondicionador de aire congelándose" más adelante.
El acondicionador de aire se está congelando	El hielo bloquea el flujo de aire hacia el acondicionador de aire evitando que se enfríe la habitación.	Configure el control de modo en High Fan (Ventilador Alto) o High Cool (Frío Alto) con la configuración de temperatura en el nivel más alto que pueda ser configurada.
Hay agua goteando afuera	Tiempo húmedo y caliente.	Esto es normal.
Hay agua goteando en el interior de la habitación	El acondicionador de aire no está inclinado hacia afuera.	Para drenar el agua apropiadamente, cerchiórese de que el acondicionador de aire está inclinado ligeramente desde el frente hacia atrás.
Se acumula agua en la bandeja	La humedad removida del aire y se drena hasta la bandeja.	Esto es normal por un corto período en áreas con poca humedad; normal por un período de tiempo más postergado en áreas más húmedas.

Sonidos de operación normales

- Quizás escuche un sonido metálico causado por el agua tomada y tirada contra el condensador en los días lluviosos o cuando la humedad es alta. Esta característica de diseño ayuda a remover la humedad y mejora la eficiencia.
- Quizás escuche que el termostato hace clic cuando el compresor hace ciclo entre encendido y apagado.
- El agua se acumula en la bandeja durante días lluviosos o con mucha humedad. El agua podría derramarse y gotear desde el lado externo de la unidad.
- El ventilador podría funcionar aun si el compresor no lo hace.
- Las gotitas de agua que caen contra las bobinas externas pueden hacer un ruido de “ping”. Esto ayuda a enfriar el condensador. Puede reducir este ruido retirando el enchufe de agua de la sub-base.



Para asegurar la máxima eficiencia, se recomienda verificar que el tapón de drenaje de goma esté correctamente insertado. Este tapón se puede quitar durante la operación para minimizar el agua en la parte posterior de la unidad; sin embargo, quitarlo reducirá la eficiencia de su unidad.

NOTA: No haga un agujero en la olla de la base.

Garantía Limitada del Acondicionador de Aire GE Appliances

Grapear aquí su recibo.

Se requiere facilitar prueba de la fecha de compra original para hacer un reclamo de garantía.

Por el Período de:	Reemplazaremos:
Un Año Desde la fecha de la compra original	Reemplazo, reparación o reembolso del costo minorista original de cualquier producto que falle debido a un defecto en los materiales o la fabricación. Si la unidad es cambiada, la unidad de reemplazo posee garantía por el resto del período de la garantía original de un año sobre su producto. GE Appliances reemplazará, a su exclusivo criterio, el producto por otro de la misma o de una funcionalidad y calidad comparable o hará un reembolso por el precio minorista original.

A Fin de Realizar un Reclamo de la Garantía Durante el Período de Devolución Permitido por el Vendedor Minorista:

- **Embale la unidad correctamente. Le recomendamos usar la caja de cartón y los materiales de embalaje originales.**
- **Entregue el producto en la ubicación del vendedor minorista donde fue adquirido.**
- **Incluya en el paquete una copia del receptor de la venta u otro comprobante de la fecha de compra original. También escriba su nombre y domicilio y una descripción del defecto.**

A Fin de Realizar un Reclamo sobre la Garantía Durante el Resto de la Garantía de un Año:

- **Ubique su recibo de venta original y haga una nota de su modelo y número de serie.**
- **Visite GEAppliances.com/service para iniciar el proceso de reemplazo del producto.**
- **Se solicitará su nombre, domicilio, fecha de compra, y números de modelo y serie.**
- **GE Appliances hará arreglos para que se envíe una caja de cartón a su hogar para recuperar el producto.**
- **Por favor entregue todos los materiales solicitados (envío postal prepago) en la caja de cartón provista. Por favor incluya una descripción del defecto.**
- **Debería recibir el producto de reemplazo o un reembolso entre los 7 y 10 días hábiles una vez que hayamos recibido su paquete.**

Qué No Será Cubierto:

- **Instrucción al cliente. Este manual del propietario brinda información relacionada con instrucciones de funcionamiento y controles del usuario.**
- **Instalación inadecuada. Si tiene un problema de instalación o el acondicionador de aire no posee la capacidad adecuada, contacte a su vendedor minorista o instalador. Usted es responsable de brindar instalaciones de conexión eléctrica adecuadas.**
- **Falla del producto como resultado de modificaciones sobre el mismo o debido a un uso irrazonable, incluyendo la falta de mantenimiento razonable o necesario.**
- **Reemplazo de fusibles del hogar o reinicio de disyuntores.**
- **Fallas como consecuencia de corrosión en modelos sin protección contra ésta.**
- **Daños ocasionados sobre el producto por nivel de suministro de voltaje inadecuado, accidente, incendio, inundaciones o catástrofes naturales.**
- **Daños consecuentes o incidentales causados por posibles defectos del acondicionador de aire.**
- **Daño causado después de la entrega.**

EXCLUSIÓN DE GARANTÍAS IMPLÍCITAS—Su única y exclusiva alternativa es la reparación del producto, como se indica en la Garantía Limitada. Las garantías implícitas, incluyendo garantías implícitas de comerciabilidad o conveniencia sobre un propósito particular, se limitan a un año o al período más corto permitido por la ley.

Para Clientes de EE.UU: Esta **garantía limitada** se extiende al comprador original y a cualquier dueño subsiguiente de productos comprados para uso hogareño dentro de EE.UU. Si el producto está en un área donde no se encuentra disponible un Proveedor Autorizado del Servicio Técnico de GE Appliances, usted será responsable por el costo de un viaje o se podrá requerir que traiga el producto a una ubicación del Servicio Técnico de GE Appliances Autorizado para recibir el servicio. En Alaska, la **garantía limitada** excluye el costo de envío o llamadas del servicio técnico a su hogar.

Algunos estados no permiten la exclusión o limitación de daños fortuitos o consecuentes. Esta **garantía limitada** le da derechos legales específicos y es posible que tenga otros derechos legales que varían entre un estado y otro. Para conocer cuáles son sus derechos legales, consulte a la oficina de asuntos del consumidor local o estatal o al Fiscal de su estado.

Garante en EE.UU:
GE Appliances, a Haier company
Louisville, KY 40225

Soporte para el Consumidor

Sitio Web de GE Appliances

¿Desea realizar una consulta o necesita ayuda con su electrodoméstico? ¡Intente a través del Sitio Web de GE Appliances las 24 horas del día, cualquier día del año! Usted también puede comprar más electrodomésticos maravillosos de GE Appliances y aprovechar todos nuestros servicios de soporte a través de Internet, diseñados para su conveniencia.

En EE.UU.: GEAppliances.com

Registre su Electrodoméstico

¡Registre su electrodoméstico nuevo a través de Internet, según su conveniencia! Un registro puntual de su producto permitirá una mejor comunicación y un servicio más puntual de acuerdo con los términos de su garantía, en caso de surgir la necesidad. También puede enviar una carta en la tarjeta de inscripción preimpresa que se incluye con el material embalado.

En EE.UU.: GEAppliances.com/register

Piezas y Accesorios

Aquellos individuos calificados para realizar el servicio técnico de sus propios electrodomésticos podrán solicitar el envío de piezas o accesorios directamente a sus hogares (se aceptan las tarjetas VISA, MasterCard y Discover). Ordene hoy a través de Internet durante las 24 horas, todos los días. En EE.UU.: GEApplianceparts.com o de forma telefónica al 877.959.8688 durante el horario de atención comercial.

Las instrucciones que figuran en este manual cubren los procedimientos que serán realizados por cualquier usuario. Otros servicios técnicos generalmente deben ser derivados a personal calificado del servicio. Se deberá tener cuidado, ya que una reparación indebida podrá hacer que el funcionamiento no sea seguro.

Contáctenos

Si no se encuentra satisfecho con el servicio que recibió de GE Appliances, comuníquese con nosotros a través de nuestro sitio Web con todos los detalles, incluyendo su número telefónico, o escriba a:

En EE.UU.: General Manager, Customer Relations | GE Appliances, Appliance Park | Louisville, KY 40225
GEAppliances.com/ge/service-and-support/contact.htm